

SR 38 at CR 73 Utility Relocation

PI #0011730

for

City of Hinesville

Liberty County, Georgia

February 8, 2021

SHEET INDEX:

DESCRIPTION	SHEET
1. OVERALL UTILITY PLAN	1
2. UTILITY PLAN (OLD SUNBURY RD STA 100+00 - STA 101+31 & SR 38 STA 20+00 - STA 25+32)	2
3. UTILITY PLAN (OLD SUNBURY RD STA 101+31 - STA 107+41 & OLD HINES RD STA 200+00 - STA 201+33)	3
4. UTILITY PLAN (OLD HINES RD STA 201+33 - STA 203+45)	4
5. UTILITY PLAN (OLD HINES RD STA 203+45 - STA 208+14)	5
6. DETAILS	6
7. DETAILS	7

GENERAL NOTES

1. ALL EXISTING UTILITIES SHOWN ARE LOCATED FROM BEST AVAILABLE INFORMATION. THE CONTRACTOR SHALL BE RESPONSIBLE FOR ACTUAL FIELD LOCATION AND PROTECTION OF EXISTING UTILITIES. OVERHEAD LINES ARE NOT SHOWN FOR CLARITY.
2. ALL DISTURBED AREAS TO BE REVEGETATED IMMEDIATELY AFTER CONSTRUCTION, IN ACCORDANCE WITH THE MANUAL FOR EROSION AND SEDIMENT CONTROL IN GEORGIA.
3. ALL EROSION AND SEDIMENTATION CONTROL STRUCTURES SHALL BE INSTALLED PRIOR TO OR CONCURRENT WITH START OF CONSTRUCTION.
4. THE CONTRACTOR SHALL BE RESPONSIBLE FOR THE REPLACEMENT OF ANY PROPERTY CORNERS, RIGHT OF WAY MONUMENTS, SIGNS OR OTHER STRUCTURES DISTURBED DURING CONSTRUCTION.
5. ALL TRAFFIC AND SIGNAGE CONTROL SHALL BE IN ACCORDANCE WITH THE TRAFFIC CONTROL MANUAL GUCC, CURRENT EDITION.
6. ALL ROADSIDE DITCHES THAT ARE DISTURBED AS A RESULT OF THIS PROJECT MUST BE RE-ESTABLISHED TO ENSURE POSITIVE DRAINAGE.

24 HOUR CONTACT

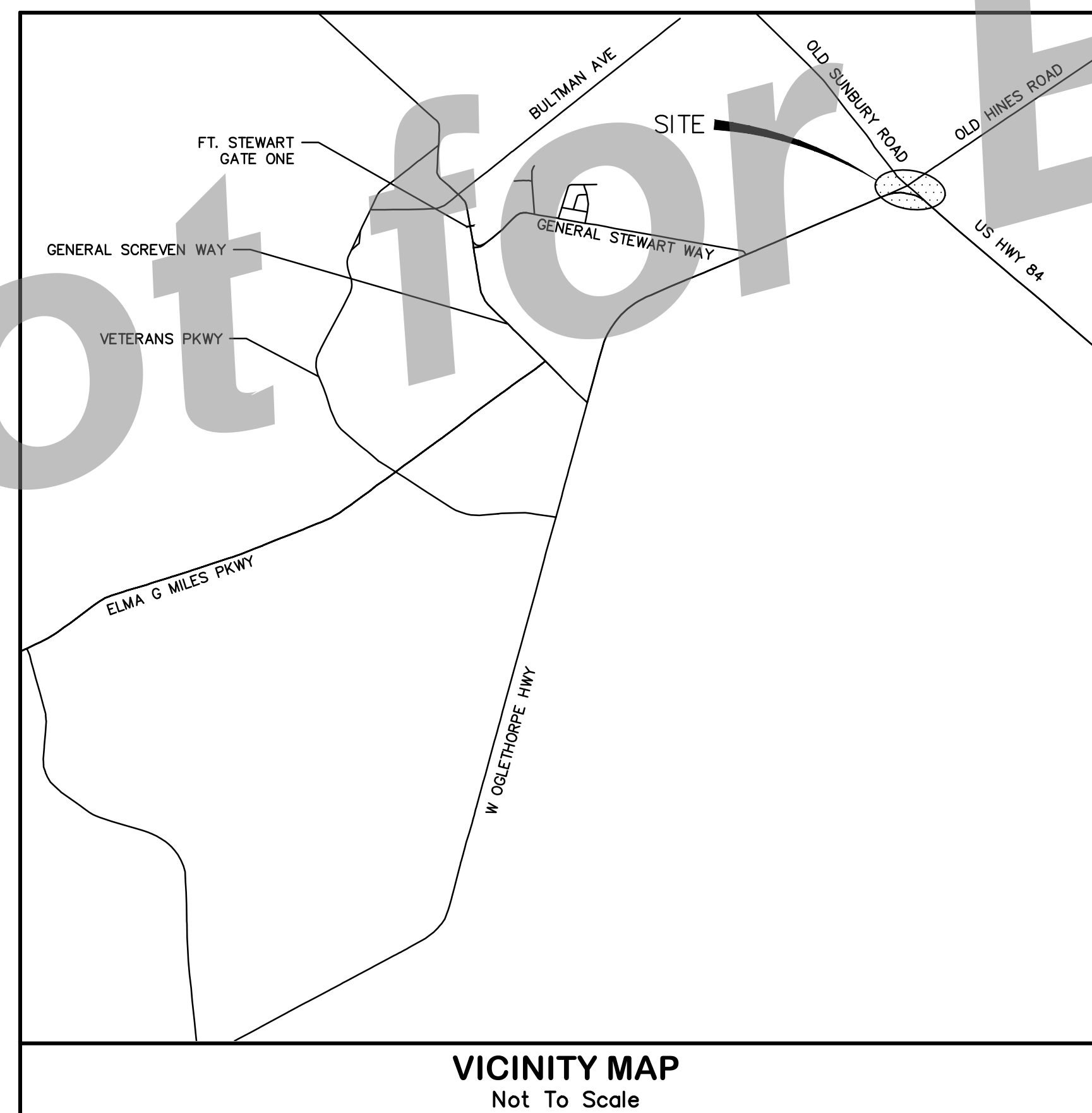
CITY OF HINESVILLE
 CONTACT: KENNETH HOWARD
 (CITY MANAGER)
 115 EAST M.L. KING, JR. DRIVE
 HINESVILLE, GA 31313
 TEL: (912) 876-3564
 khoward@cityofhinesville.org

PRIMARY PERMITTEE

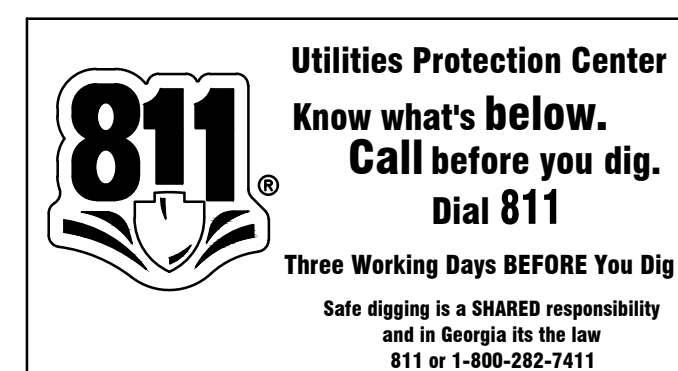
CITY OF HINESVILLE
 CONTACT: KENNETH HOWARD
 (CITY MANAGER)
 115 EAST M.L. KING, JR. DRIVE
 HINESVILLE, GA 31313
 TEL: (912) 876-3564
 khoward@cityofhinesville.org

OWNER/AGENT

CITY OF HINESVILLE
 CONTACT: KENNETH HOWARD
 (CITY MANAGER)
 115 EAST M.L. KING, JR. DRIVE
 HINESVILLE, GA 31313
 TEL: (912) 876-3564
 khoward@cityofhinesville.org



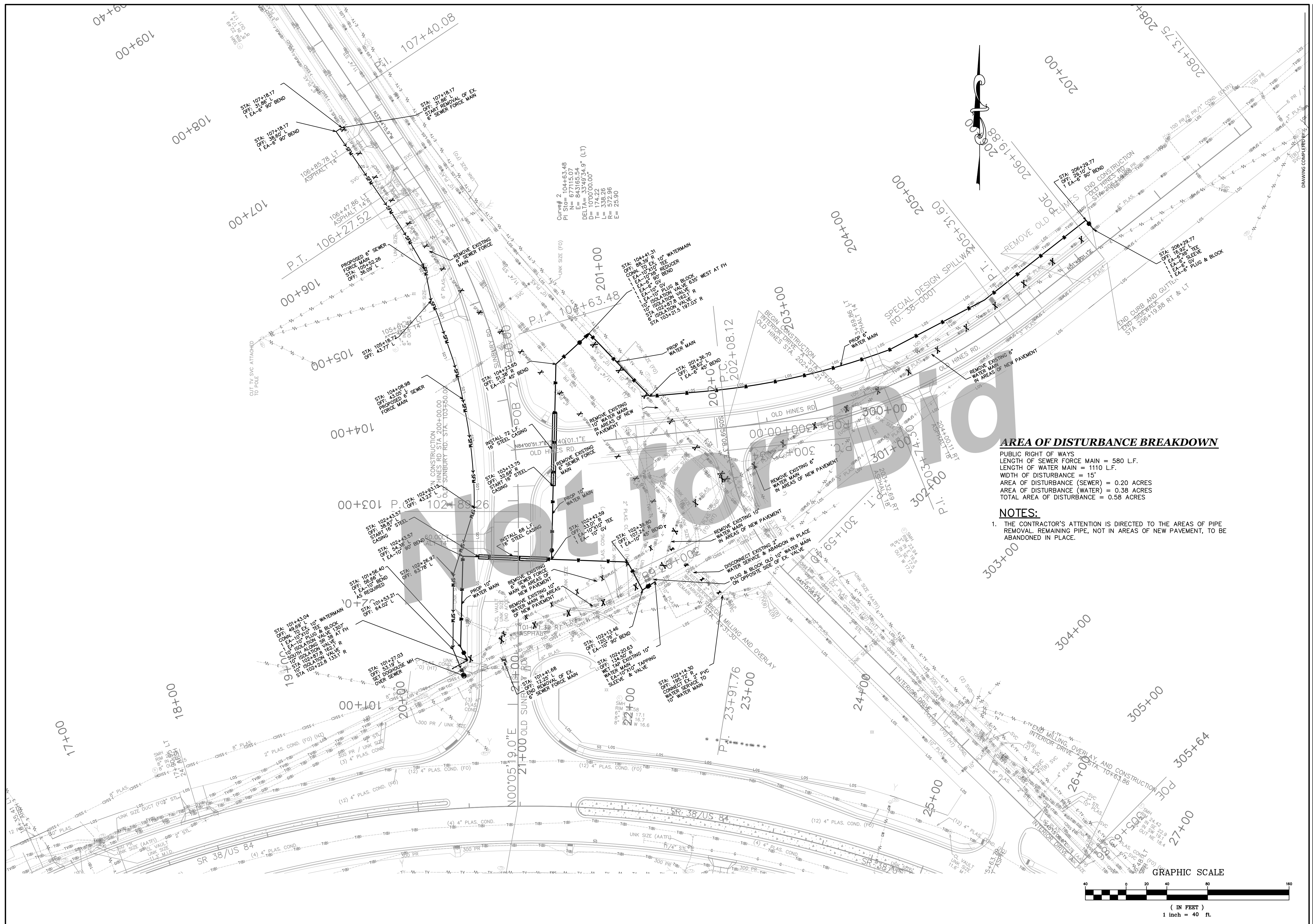
DRAWING LEGEND		
DESCRIPTION	PROPOSED	EXISTING
SANITARY SEWER	—	SS
UNDERGROUND WATER LINE	— W —	— W —
FORCE MAIN	— FM —	— FM —
STORM DRAINAGE PIPE	—	—
UNDERGROUND TELEPHONE LINE	— T —	— T —
UNDERGROUND TELEPHONE CONDUIT	— TC —	— TC —
UNDERGROUND GAS LINE	— 12" G —	— 12" G —
DITCH CENTERLINE	—	—
TOP OF CURB & GUTTER ELEVATIONS	TC=90.00 G=89.50	EX TC=90.00 EX G=89.50
SPOT ELEVATION	X=90.00	X=90.00
FIRE HYDRANT	⊙	⊙
SEWER MANHOLE	⊙	⊙
WATER VALVE	⊙	⊙
TELEPHONE MANHOLE	⊙	⊙
LIGHT POLE	⊙	⊙
SIGN	⊙	⊙
WATER METER	⊙	⊙
BENCHMARK	⊙	⊙
CONCRETE MONUMENT FOUND	⊙	⊙
GUY POLE	⊙	⊙
IRON PIN FOUND	⊙	⊙
IRON PIN SET	⊙	⊙
TELEPHONE PEDESTAL	⊙	⊙
POWER POLE	⊙	⊙
HANDICAP SPACE	⊙	⊙
SEDIMENT BASIN MARKER W/NOTCH	⊙	⊙



Level II Certification No. 935
 Expiration Date: 10-01-23

JOB NO. 2015-41PRJ

REVISION NO.	DATE	DESCRIPTION

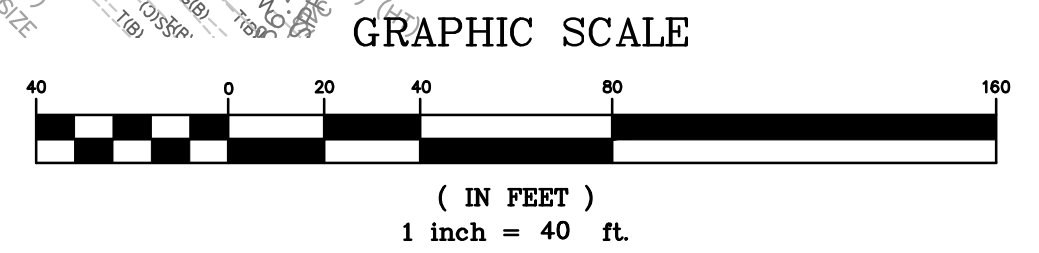


AREA OF DISTURBANCE BREAKDOWN

PUBLIC RIGHT OF WAYS
 LENGTH OF SEWER FORCE MAIN = 580 L.F.
 LENGTH OF WATER MAIN = 1110 L.F.
 WIDTH OF DISTURBANCE = 15'
 AREA OF DISTURBANCE (SEWER) = 0.20 ACRES
 AREA OF DISTURBANCE (WATER) = 0.38 ACRES
 TOTAL AREA OF DISTURBANCE = 0.58 ACRES

NOTES:

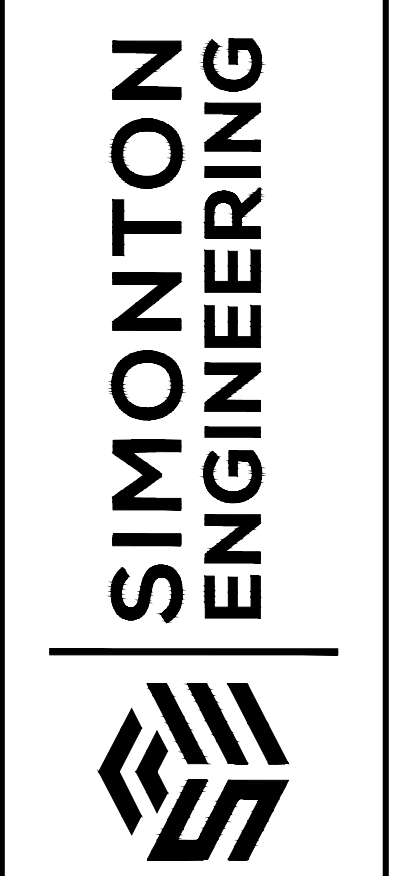
1. THE CONTRACTOR'S ATTENTION IS DIRECTED TO THE AREAS OF PIPE REMOVAL. REMAINING PIPE, NOT IN AREAS OF NEW PAVEMENT, TO BE ABANDONED IN PLACE.



REVISIONS: REVISED 10-28-2020 PER COMMENTS FROM GDOT
 DRAWING COMPLETED BY: [Signature]
 THIS DRAWING IS AN INSTRUMENT OF SERVICE AND REMAINS THE PROPERTY OF SIMONTON ENGINEERING, LLC. IT MAY NOT BE COPIED, ALTERED, OR REPRODUCED IN ANY MANNER WITHOUT THE WRITTEN PERMISSION OF SIMONTON ENGINEERING, LLC. THE EVENT OF AN ELECTRONIC VERSION BEING USED FOR THE PROJECT, THE USER SHALL BE RESPONSIBLE FOR VERIFYING THE ACCURACY OF THE INFORMATION CONTAINED HEREIN. THE EVENT OF AN ELECTRONIC VERSION BEING USED FOR THE PROJECT, THE USER SHALL BE RESPONSIBLE FOR VERIFYING THE ACCURACY OF THE INFORMATION CONTAINED HEREIN. THE EVENT OF AN ELECTRONIC VERSION BEING USED FOR THE PROJECT, THE USER SHALL BE RESPONSIBLE FOR VERIFYING THE ACCURACY OF THE INFORMATION CONTAINED HEREIN.



Level II Certification No. 935
 Expiration Date: 10-01-23
 1050 PARKSIDE COMMONS
 GREENSBORO, GA 30642
 TEL: (706) 454-0870
 www.simontonengineering.com



SR 38 at CR 73 Utility Relocation
 PI # 0011730
 for
 The City of Hinesville
 Liberty County, Georgia

Overall Utility Plan
 DATE: February 8, 2021
 FILE NO: 2015-41PRP
 SHEET: 1

MATCHLINE STA. 101+30.75 SEE SHEET 3

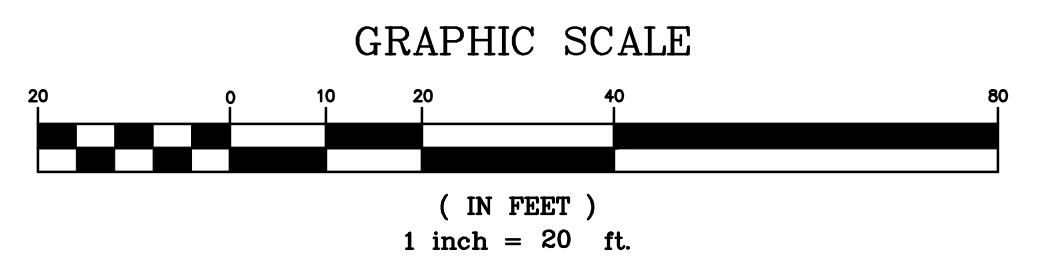


STA: 101+27.03
 OFF: 53.19' L
 SET DOGHOUSE MH
 OVER SEWER

SMH
 RIM 24.58
 6" I.D. 17.1
 8" I.D. 16.7
 8" I.D. 16.6

BEGIN CONSTRUCTION
 OLD SUNBURY RD STA 100+00.00
 SR 38/US 84 STA. 20+97.77

Not for Bid



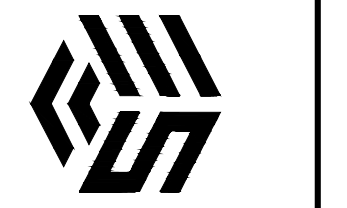
DRAWING COMPLETED BY: _____
 REVISED: _____



Level II Certification No. 935
 Expiration Date: 10-01-23

1050 PARKSIDE COMMONS
 GREENSBORO, GA 30642
 TEL: (769) 454-0870
 www.simontonengineering.com

**SIMONTON
 ENGINEERING**



SR 38 at CR 73 Utility Relocation
 PI # 0011730
 for
 The City of Hinesville
 Liberty County, Georgia

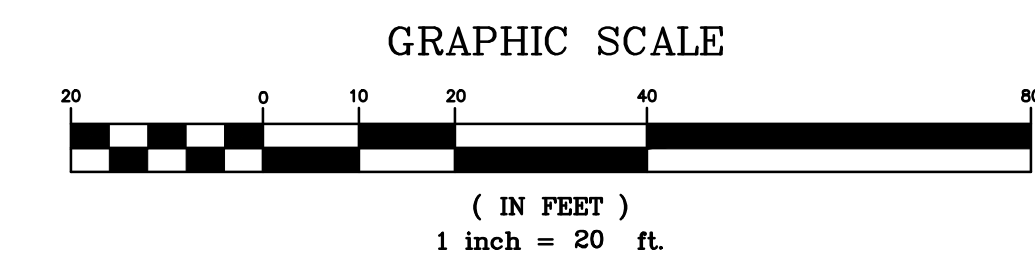
Utility Plan
 DATE: February 8, 2021
 FILE NO: 2015-41PRU
 SHEET: 2

THIS DRAWING IS AN INSTRUMENT OF SERVICE AND REMAINS THE PROPERTY OF SIMONTON ENGINEERING, LLC. IT MAY NOT BE COPIED, ALTERED, OR REPRODUCED IN ANY MANNER WITHOUT THE WRITTEN CONSENT OF SIMONTON ENGINEERING, LLC. THE INFORMATION CONTAINED HEREIN IS INTENDED FOR THE MAILED CLIENT ONLY. IN THE EVENT OF AN ELECTRONIC VERSION SIMONTON ENGINEERING, LLC ASSUMES NO LIABILITY FOR ANY ERRORS OR OMISSIONS. THE USER SHALL BE RESPONSIBLE FOR THE ACCURACY OF ANY INFORMATION DERIVED FROM THIS DRAWING. IN THE EVENT OF A DISPUTE, THE USER SHALL BE RESPONSIBLE FOR OBTAINING THE ELECTRONIC MEDIA. © SIMONTON ENGINEERING, LLC.



MATCHLINE STA. 101+30.75 SEE SHEET 2

MATCHLINE STA. 201+32.68 SEE SHEET 4

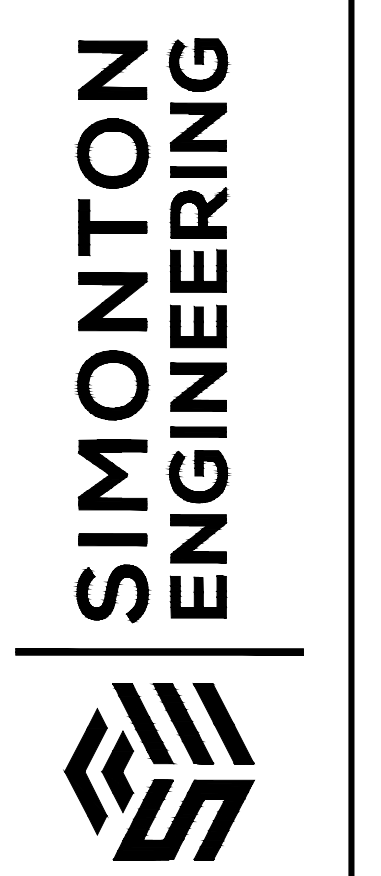


DRAWING COMPLETED BY:

REVISED:



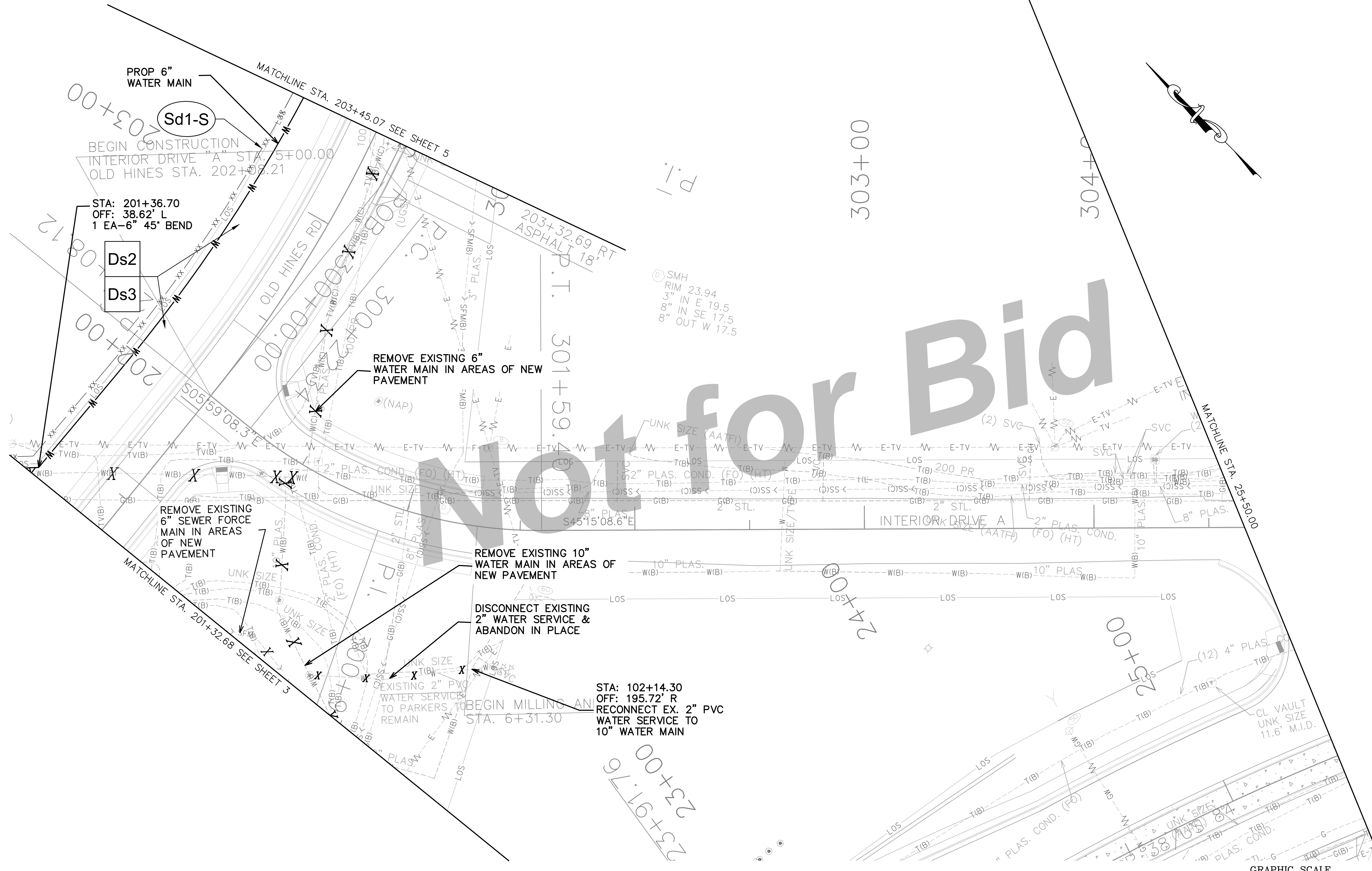
1050 PARKSIDE COMMONS
GREENSBORO, GA 30642
TEL: (769) 454-0870
www.simontongenr.com



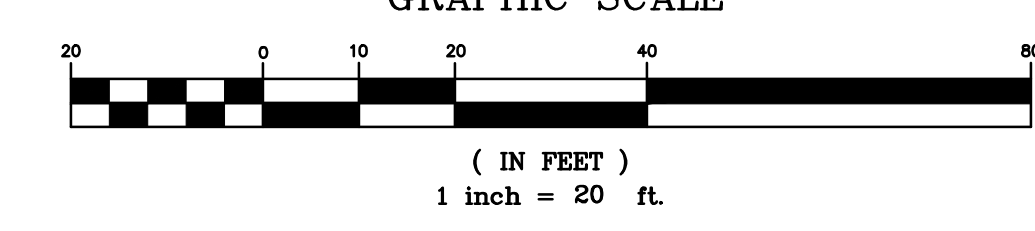
SR 38 at CR 73 Utility Relocation
PI # 0011730
for
The City of Hinesville
Liberty County, Georgia

Utility Plan
DATE: February 8, 2021
FILE NO: 2015-41PRU
SHEET: 3

THIS DRAWING IS AN INSTRUMENT OF SERVICE AND REMAINS THE PROPERTY OF SIMONTON ENGINEERING, LLC. IT MAY NOT BE COPIED, ALTERED, OR REPRODUCED IN ANY MANNER WITHOUT THE WRITTEN CONSENT OF SIMONTON ENGINEERING, LLC. IN THE EVENT OF AN ELECTRONIC VERSION SIMONTON ENGINEERING, LLC ASSUMES NO LIABILITY FOR ANY ERRORS OR OMISSIONS THAT MAY OCCUR DURING THE PROCESSING OF THIS DRAWING. IN THE EVENT OF A DISCREPANCY BETWEEN THE PRINTED AND ELECTRONIC VERSIONS, THE ELECTRONIC VERSION SHALL PREVAIL.



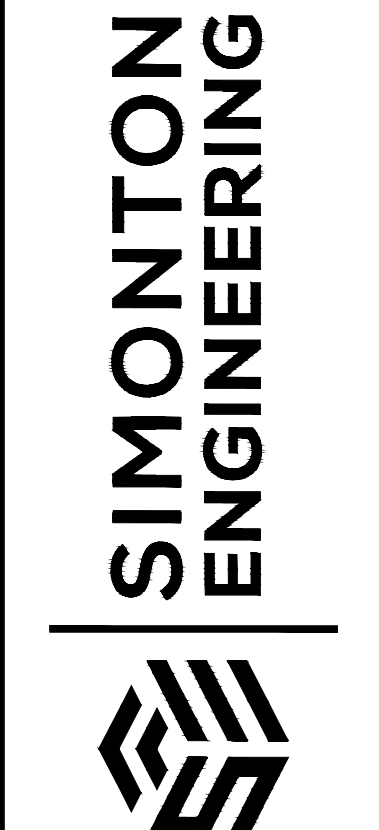
Not for Bid



DRAWING COMPLETED BY: _____
REVISED: _____



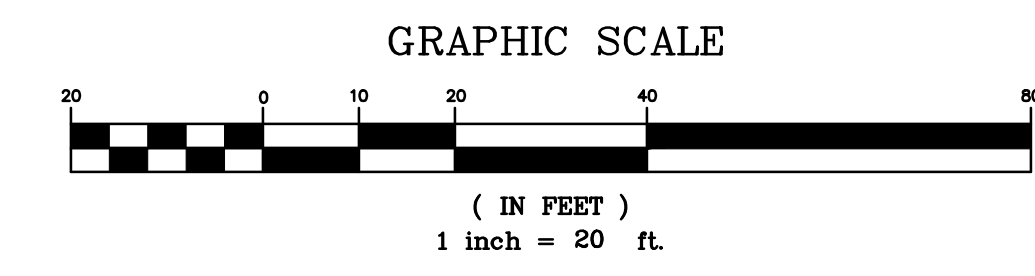
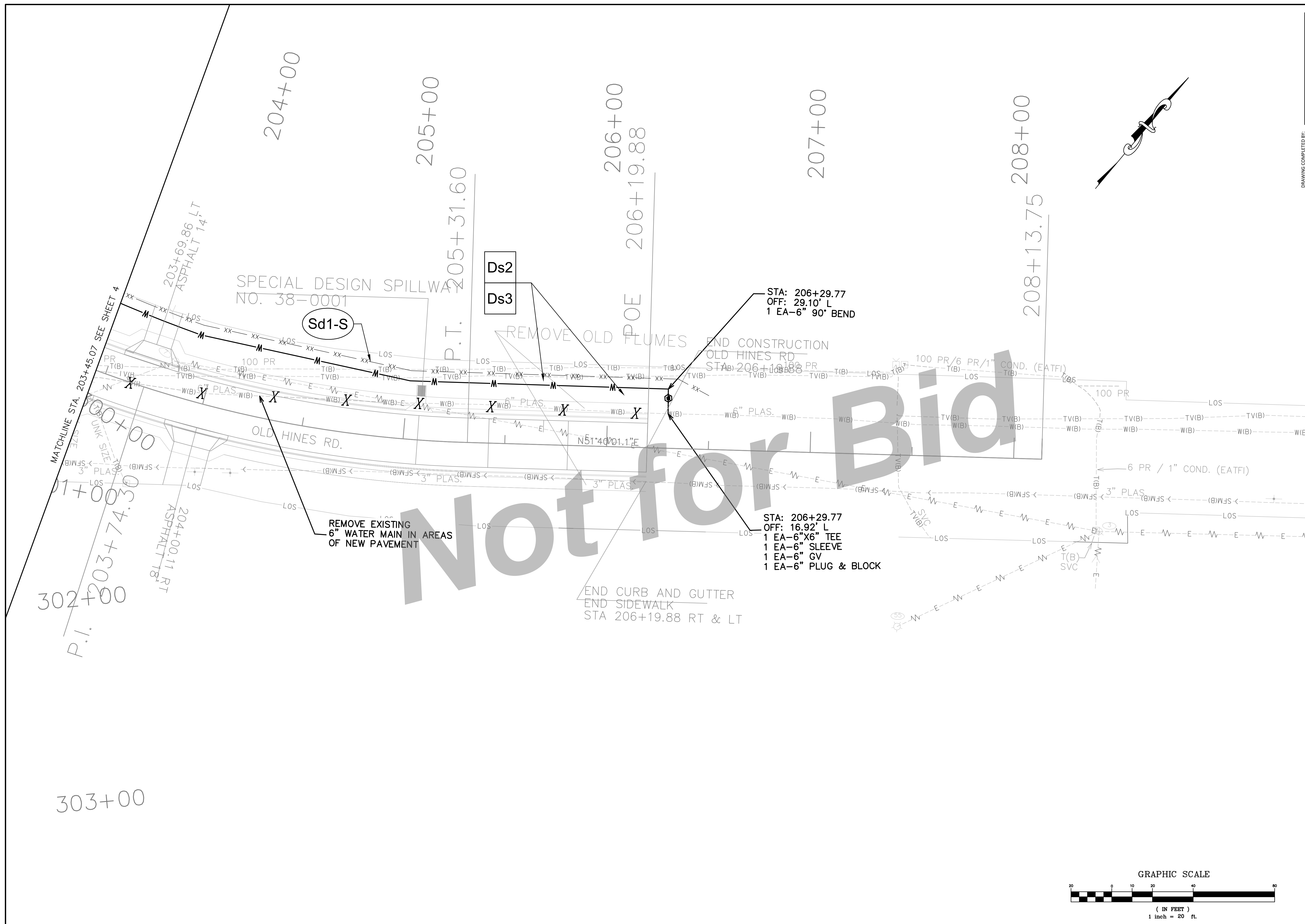
1050 PARKSIDE COMMONS
GREENSBORO, GA 30642
TEL: (706) 454-0870
www.simontonengineering.com



SR 38 at CR 73 Utility Relocation
PI # 0011730
for
The City of Hinesville
Liberty County, Georgia

Utility Plan
DATE: February 8, 2021
FILE NO: 2015-41PRU
SHEET: 4

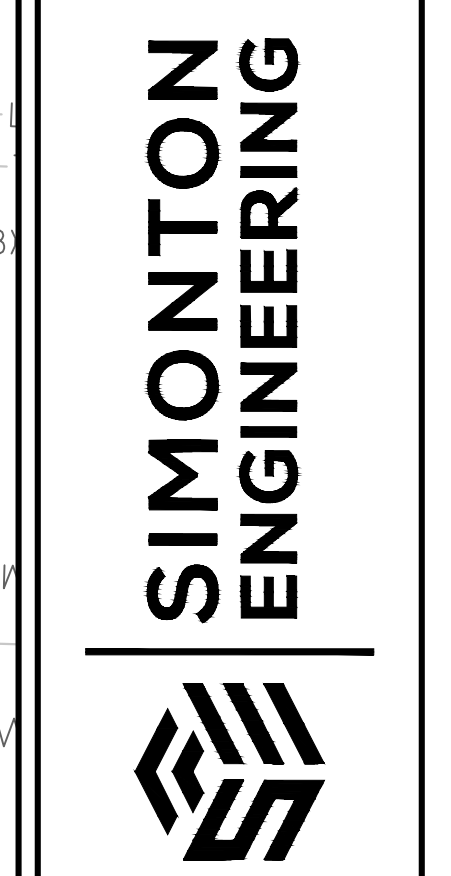
THIS DRAWING IS AN INSTRUMENT OF SERVICE AND REMAINS THE PROPERTY OF SIMONTON ENGINEERING, LLC. IT MAY NOT BE COPIED, ALTERED, OR REPRODUCED IN ANY MANNER WITHOUT THE WRITTEN CONSENT OF SIMONTON ENGINEERING, LLC. THE INFORMATION CONTAINED HEREIN IS INTENDED FOR THE MARKED CLIENT ONLY. IN THE EVENT OF AN ELECTRONIC VERSION SIMONTON ENGINEERING, LLC ASSUMES NO LIABILITY FOR ANY ERRORS OR OMISSIONS THAT MAY OCCUR IN THIS DRAWING. IN THE EVENT OF A DISPUTE, THE ORIGINAL DRAWING SHALL PREVAIL OVER ANY ELECTRONIC MEDIA. "SIMONTON ENGINEERING, LLC."



DRAWING COMPLETED BY: _____
 REVISIONS: _____



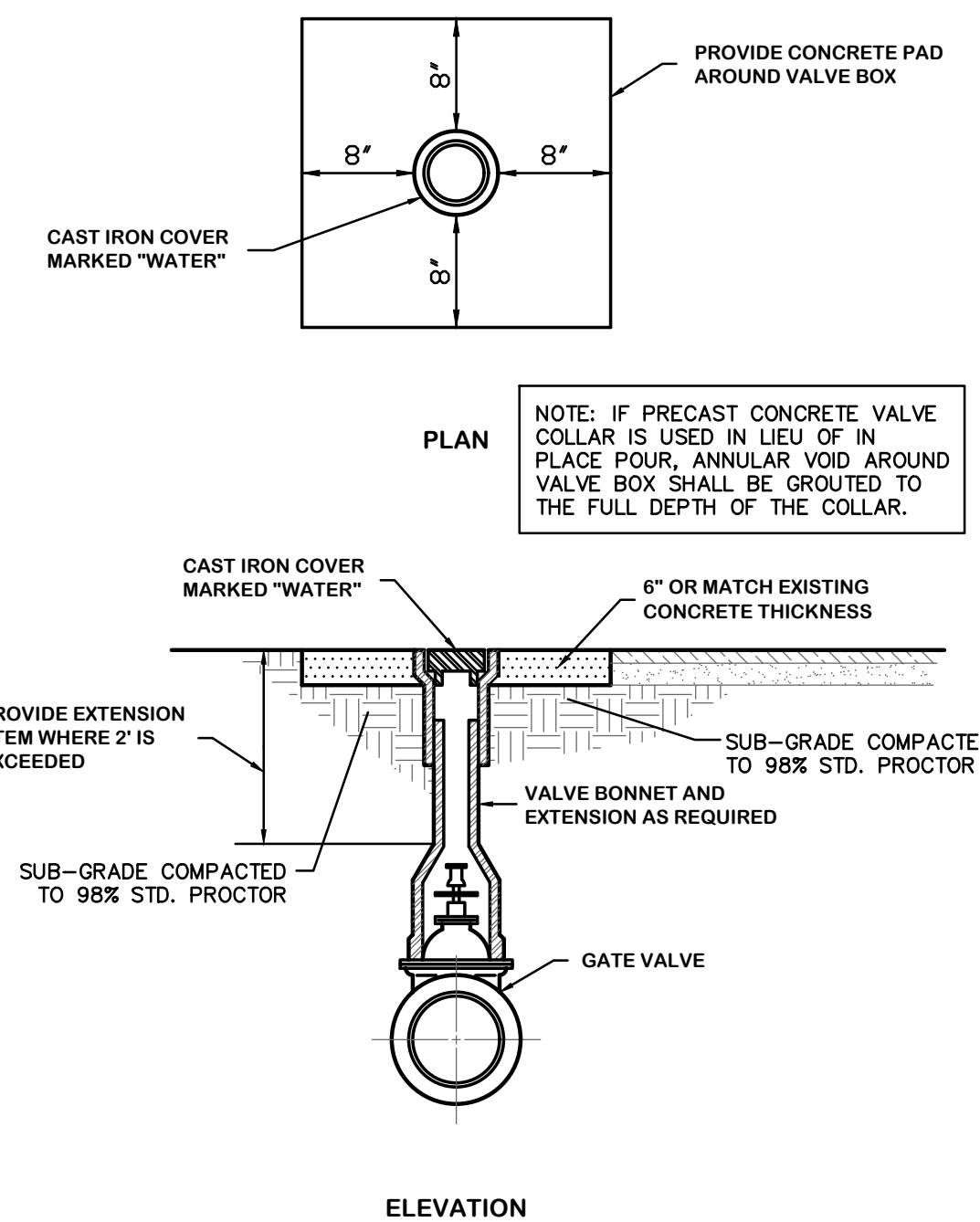
1050 PARKSIDE COMMONS
 GREENSBORO, GA 30642
 TEL: (769) 454-0870
 www.simontonengineering.com



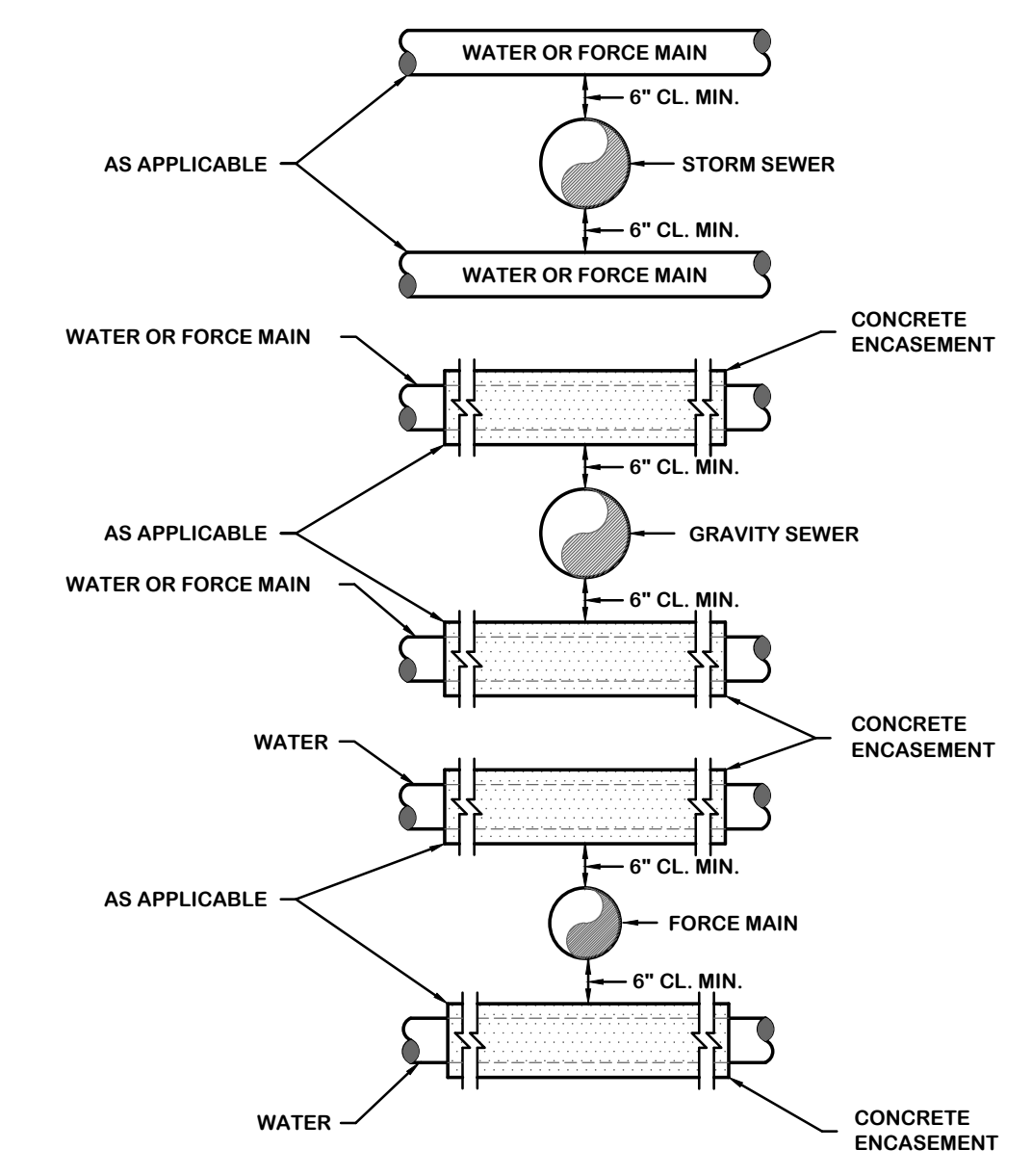
SR 38 at CR 73 Utility Relocation
 PI # 0011730
 for
 The City of Hinesville
 Liberty County, Georgia

Utility Plan
 DATE: February 8, 2021
 FILE NO: 2015-41PRU
 SHEET: 5

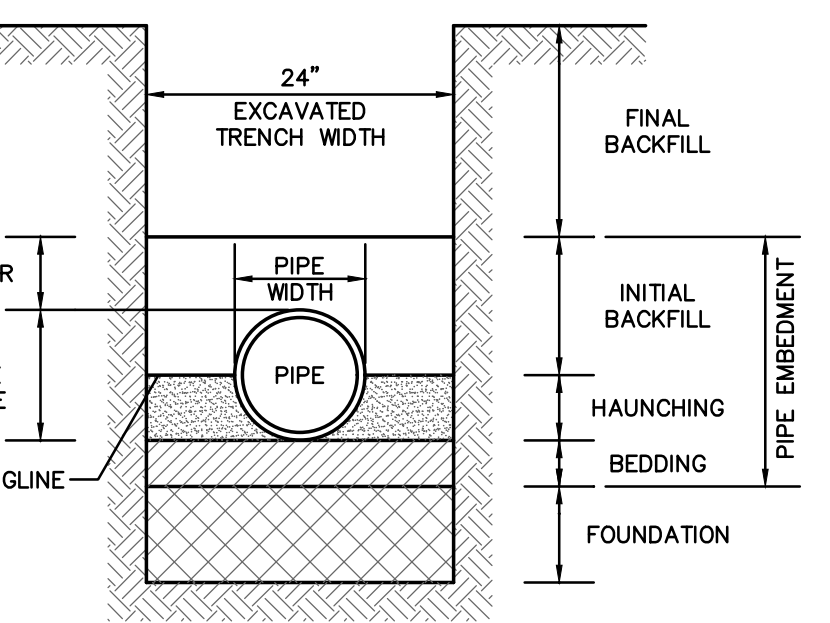
THIS DRAWING IS AN INSTRUMENT OF SERVICE AND REMAINS THE PROPERTY OF SIMONTON ENGINEERING, LLC. IT MAY NOT BE COPIED, ALTERED, OR REPRODUCED IN ANY MANNER WITHOUT THE WRITTEN CONSENT OF SIMONTON ENGINEERING, LLC. INFORMATION CONTAINED HEREIN IS INTENDED FOR THE NAMED CLIENT ONLY. IN THE EVENT OF AN ELECTRONIC VERSION SIMONTON ENGINEERING, LLC ASSUMES NO LIABILITY FOR ANY ERRORS OR OMISSIONS THAT MAY OCCUR IN THIS DRAWING. IN THE EVENT OF A DISCREPANCY BETWEEN THE PRINTED AND ELECTRONIC VERSIONS, THE ELECTRONIC VERSION SHALL PREVAIL. SIMONTON ENGINEERING, LLC.



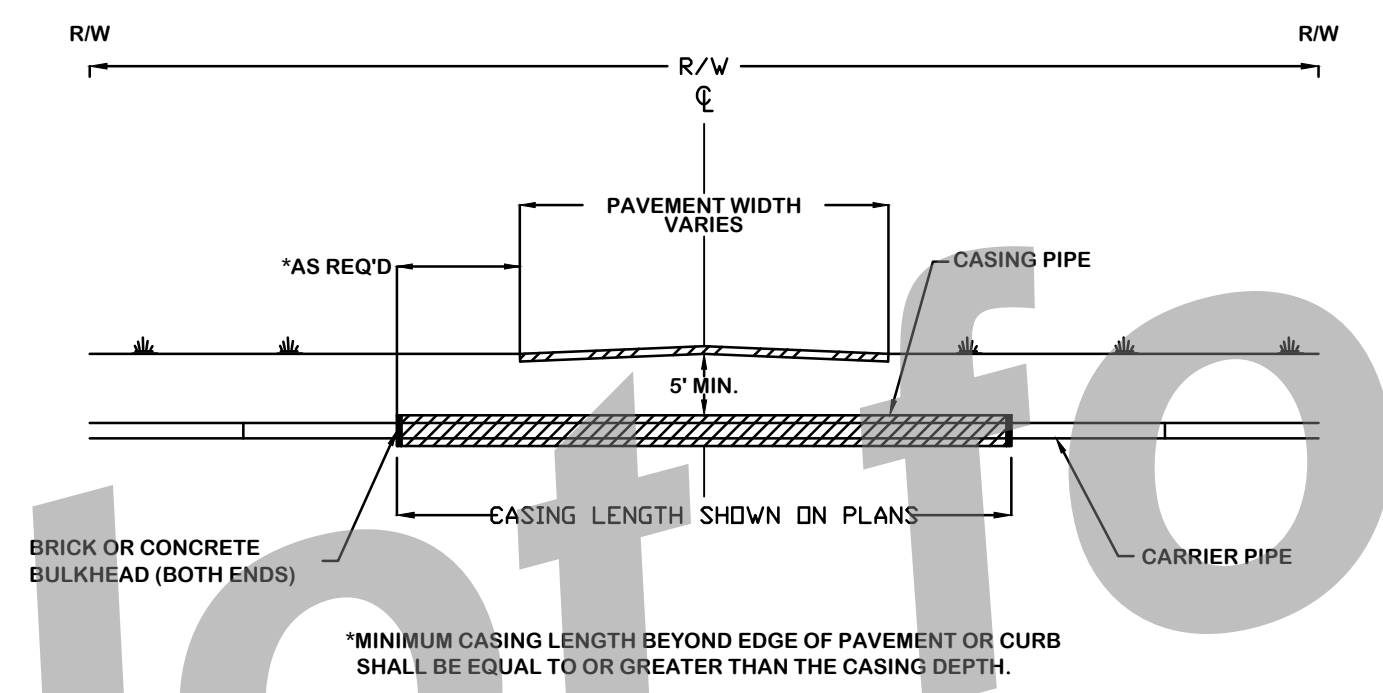
VALVE BOX DETAIL
N.T.S.



SEPARATION DETAIL
N.T.S.

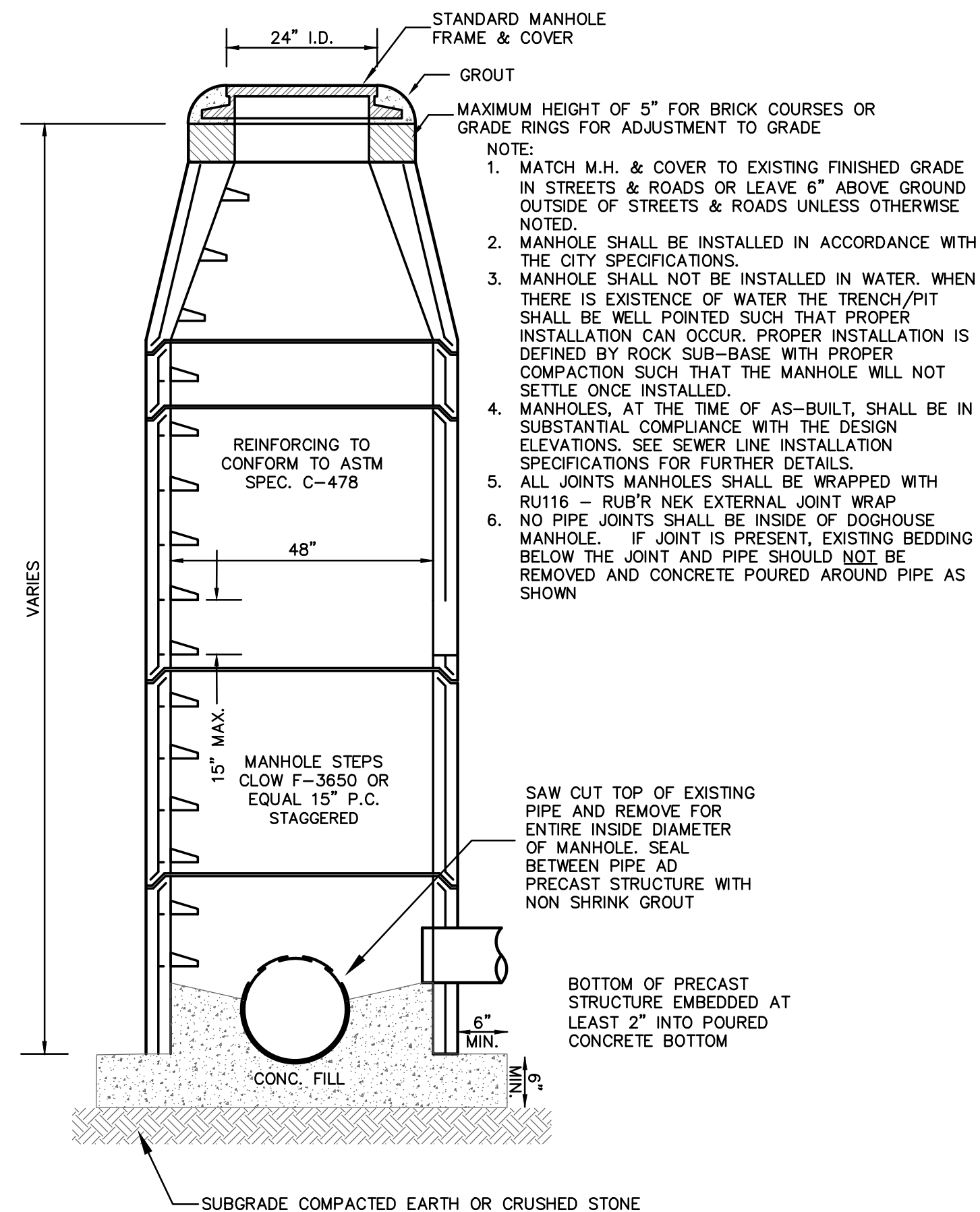


PIPE BEDDING DETAIL
N.T.S.

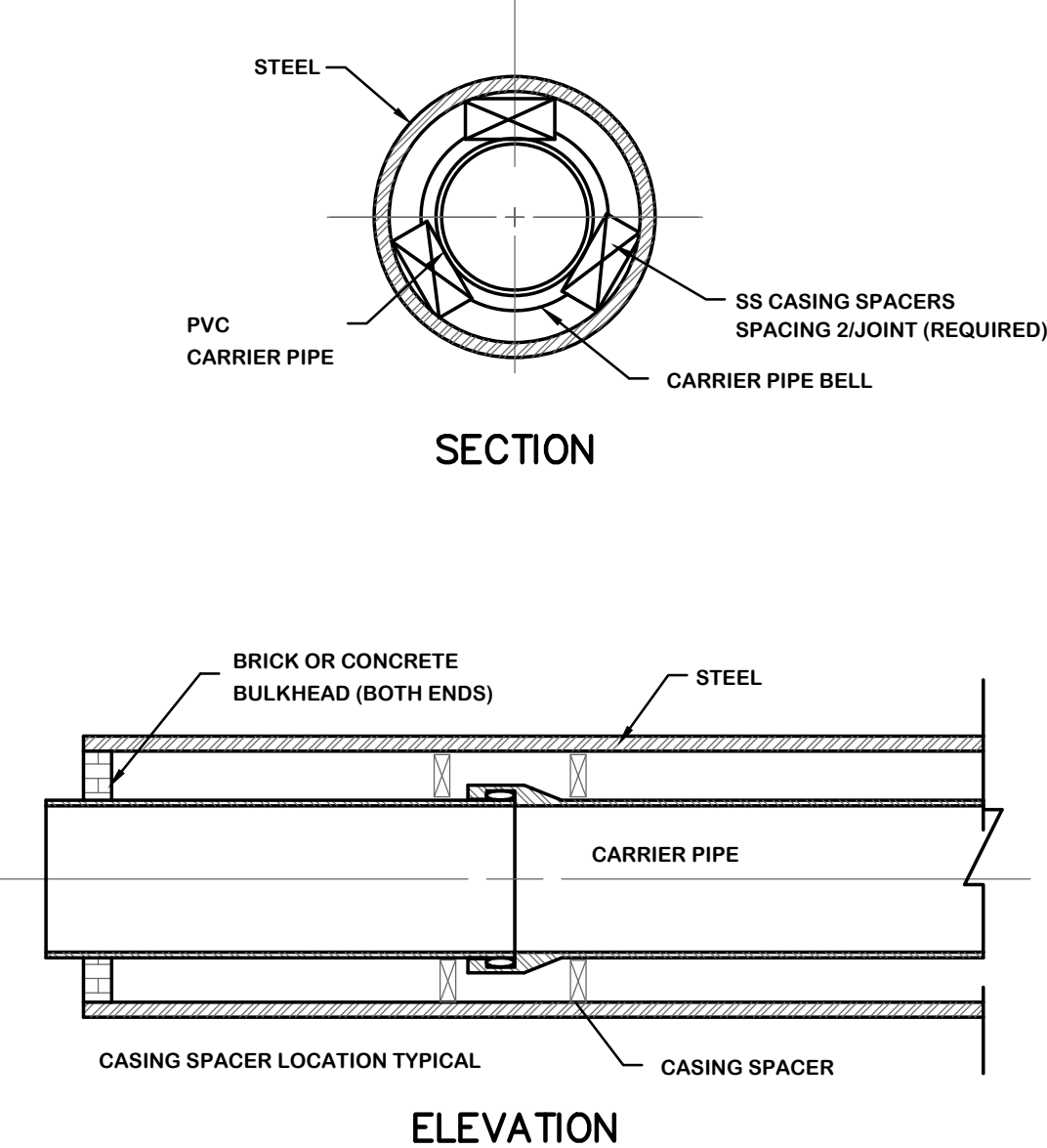


TYPICAL ROADWAY BORE/CROSSING DETAIL
N.T.S.

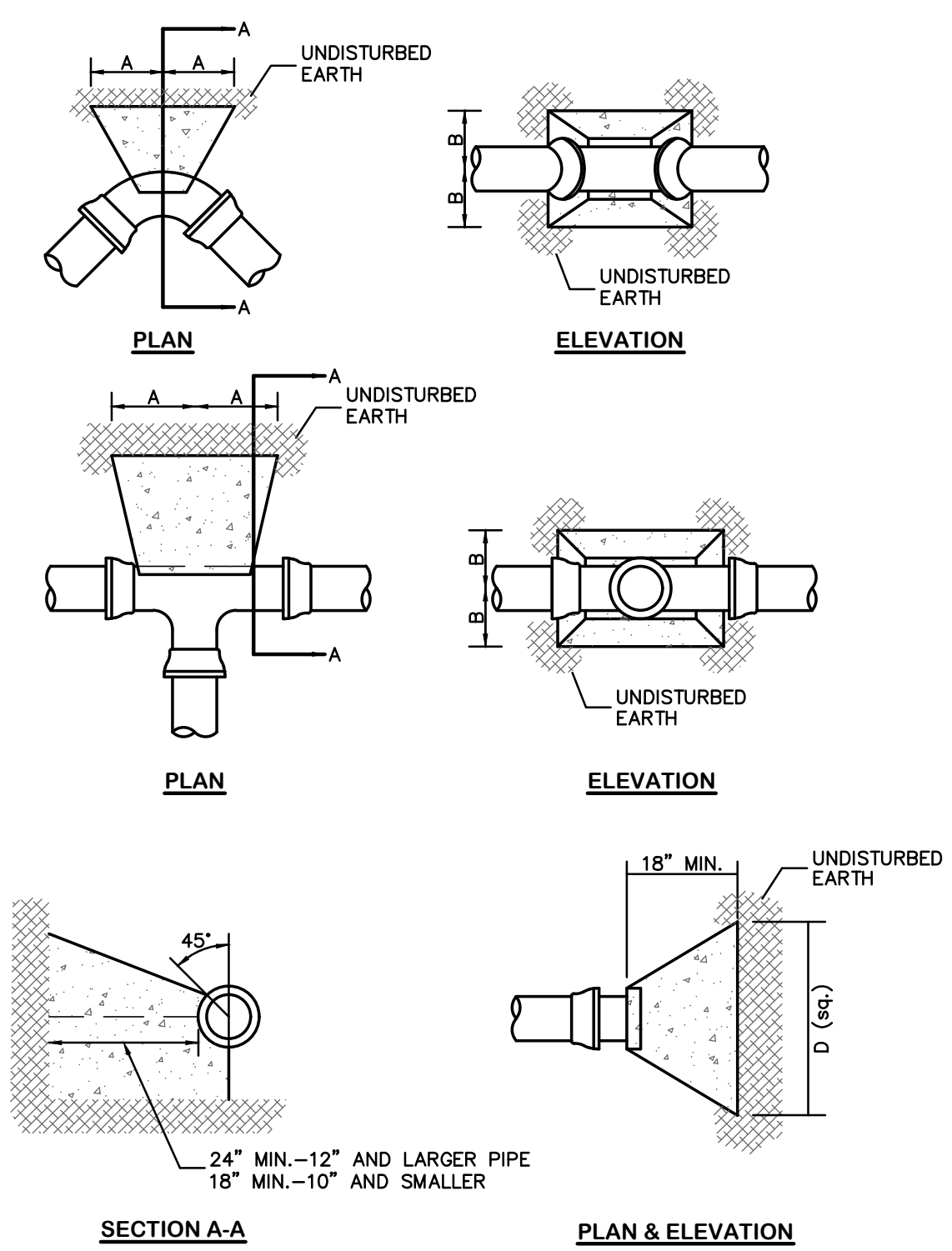
CARRIER PIPE	MATL.	O.D.	MAX O.D @ JOINTS	MIN CASING SIZE	MATL.	I.D.	MAX O.D @ JOINTS
10"	PVC	11.10"	14.08"	16"	STEEL	15.50"	16.0"



PRECAST DOG HOUSE CONCRETE MANHOLE
N.T.S.



CASING DETAILS
N.T.S.
2020-40PRJ



STANDARD THRUST BLOCKS FOR WATER MAIN AND FORCE MAINS
N.T.S.

TYPE	SIZE	1/4 BENDS		1/8 BENDS		1/16 BENDS		TEES			PLUGS	
		A	B	A	B	A	B	A	B	C	D	
TYPE 1 2,000 P.S.F. SOIL	6"	16"	10"	9"	10"	6"	8"	10"	12"	10"	21"	
	8"	22"	13"	12"	13"	8"	10"	13"	16"	12"	29"	
	10"	26"	17"	14"	17"	10"	13"	16"	20"	14"	36"	
	12"	29"	21"	16"	21"	11"	16"	18"	24"	16"	41"	
	14"	35"	24"	19"	24"	12"	20"	22"	27"	18"	48"	
	16"	38"	27"	21"	27"	12"	24"	24"	30"	20"	54"	

NOTE: PIPES SMALLER THAN 6" SHALL USE MIN. BLOCKING SIZES SHOWN FOR 6".

DRAWING COMPLETED BY: _____
 REVISED: _____
 THIS DRAWING IS AN INSTRUMENT OF SERVICE AND REMAINS THE PROPERTY OF SIMONTON ENGINEERING, LLC. IT MAY NOT BE COPIED, ALTERED, OR REPRODUCED IN ANY MANNER WITHOUT THE WRITTEN CONSENT OF SIMONTON ENGINEERING, LLC. INFORMATION CONTAINED HEREIN IS INTENDED FOR THE MARKED CLIENT ONLY. IN THE EVENT OF AN ELECTRONIC VERSION SIMONTON ENGINEERING, LLC ASSUMES NO LIABILITY FOR ANY ERRORS OR OMISSIONS THAT MAY OCCUR IN THIS DRAWING. IN THE EVENT OF A DISPUTE, ALL DISPUTES SHALL BE REFERRED TO THE PROCEEDINGS OF ELECTRONIC MEDIA. - SIMONTON ENGINEERING, LLC. -
GEORGIA REGISTERED PROFESSIONAL ENGINEER
 No. 11801
 PAUL C. SIMONTON
 3-11-21
 Level II Certification No. 935
 Expiration Date: 10-01-28
 1050 PARKSIDE COMMONS
 GREENSBORO, NC 27642
 TEL: (703) 454-0870
 www.simontonengineering.com
SIMONTON ENGINEERING
 SR 38 at CR 73 Utility Relocation
 PI # 0011730
 for
 The City of Hinesville
 Liberty County, Georgia
 Details
 DATE: February 8, 2021
 FILE NO: 2015-41PRJ
 SHEET: 6

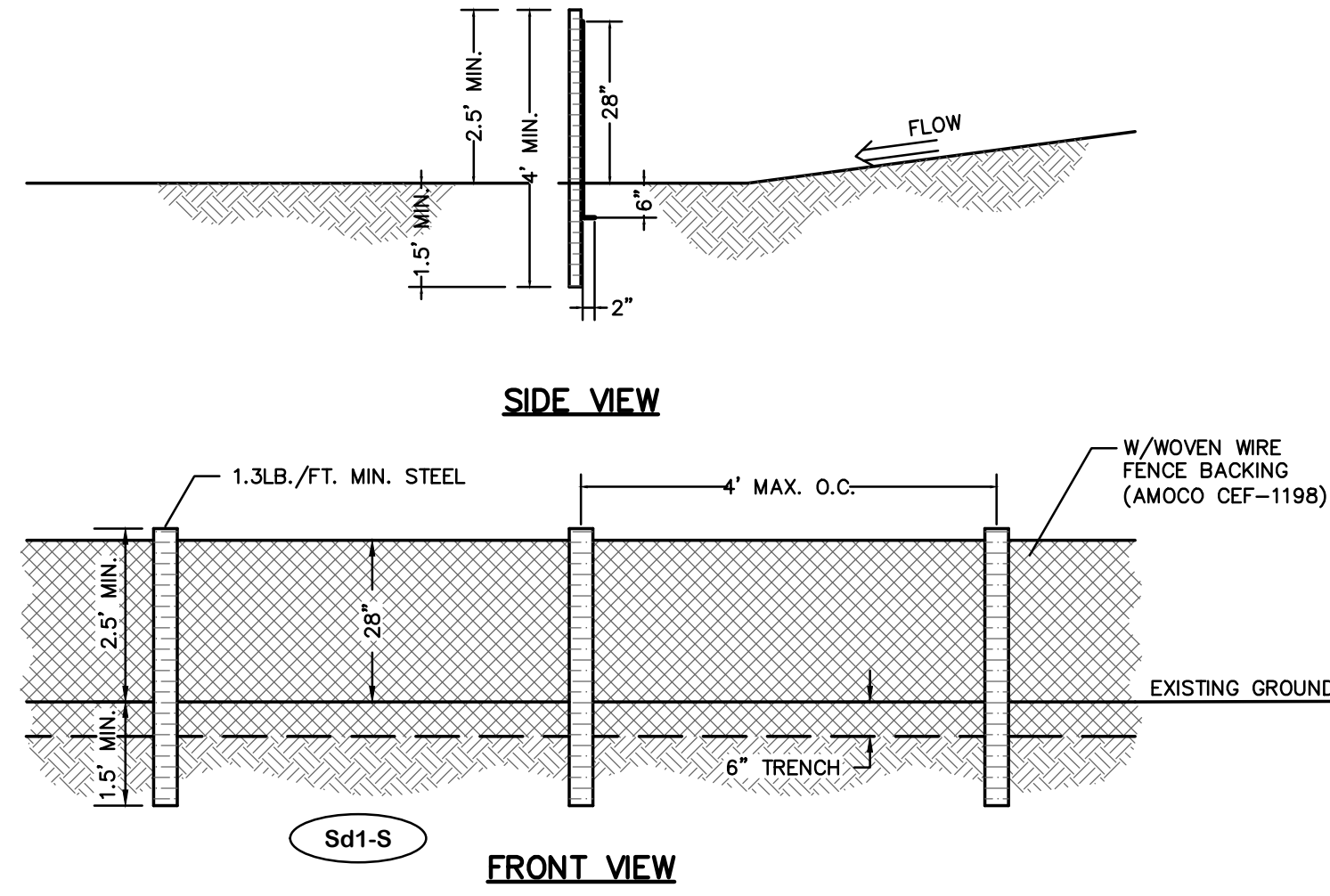
LEGEND FOR EROSION AND SEDIMENT CONTROL PRACTICES

STRUCTURAL PRACTICES

CODE	PRACTICE	DETAIL	MAP SYMBOL	DESCRIPTION
Co	CONSTRUCTION EXIT			A crushed stone pad located at the construction site exit to provide a place for removing mud from tires thereby protecting public streets.
Sd1	SEDIMENT BARRIER			A barrier to prevent sediment from leaving the construction site. It may be sandbags, bales of straw or hay, brush, logs and poles, gravel, or a silt fence.

VEGETATIVE PRACTICES

CODE	PRACTICE	DETAIL	MAP SYMBOL	DESCRIPTION
Ds1	DISTURBED AREA STABILIZATION (WITH MULCHING ONLY)			Establishing temporary protection for disturbed areas where seedlings may not have a suitable growing season to produce an erosion retarding cover.
Ds2	DISTURBED AREA STABILIZATION (WITH TEMP SEEDING)			Establishing a temporary vegetative cover with fast growing seedlings on disturbed areas.
Ds3	DISTURBED AREA STABILIZATION (WITH PERM SEEDING)			Establishing a permanent vegetative cover such as trees, shrubs, vines, grasses, or legumes on disturbed areas.
Du	DUST CONTROL ON DISTURBED AREAS			Controlling surface and air movement of dust on construction site, roadways and similar sites.



Sd1-S SILT FENCE - TYPE "S"

Ds2 SPECIES AND PLANTING SCHEDULE				
SPECIES	BROADCAST RATES (1)		PLANTING DATES BY RESOURCE AREAS (3)	REMARKS
	PER ACRE	PER 1000 Sq.Ft.		
LESPEDEZA, ANNUAL ALONE	40 lbs.	0.9 lbs.	P	200,000 SEED PER POUND. MAY VOLUNTEER FOR SEVERAL YEARS. USE UNICLANT IL.
LESPEDEZA, ANNUAL IN MIXTURES	10 lbs.	0.6 lbs.		
LOVEGRASS, WEEPING ALONE	4 lbs.	0.1 lbs.	P	1,500,000 SEED PER POUND. MAY LAST FOR SEVERAL YEARS. MIX WITH SERICEA LESPEDEZA.
LOVEGRASS, WEEPING IN MIXTURES	2 lbs.	0.05 lbs.		
MILLET, BROWNTOP ALONE	40 lbs.	0.9 lbs.	P	137,000 SEED PER POUND. QUICK DENSE COVER. WILL PROVIDE TOO MUCH COMPETITION IN MIXTURES IF SEEDS AT HIGH RATES.
MILLET, BROWNTOP IN MIXTURES	10 lbs.	0.2 lbs.		
MILLET, PEARL ALONE	50 lbs.	0.9 lbs.	P	88,000 SEED PER POUND. QUICK DENSE COVER. MAY REACH 5 FEET IN HEIGHT. NOT RECOMMENDED FOR MIXTURES.
MILLET, PEARL IN MIXTURES	10 lbs.	0.2 lbs.		
RYE ALONE	3 bu (168 lbs.)	3.9 lbs.	P	18,000 SEED PER POUND. QUICK COVER. DROUGHT TOLERANT AND WINTERHARDY.
RYE IN MIXTURES	1/2 bu (28 lbs.)	0.6 lbs.		
RYEGRASS, ANNUAL ALONE	40 lbs.	0.9 lbs.	P	227,000 SEED PER POUND. DENSE COVER. VERY COMPETITIVE AND IS NOT TO BE USED IN MIXTURES.
RYEGRASS, ANNUAL IN MIXTURES	10 lbs.	0.2 lbs.		
SUDANGRASS ALONE	60 lbs.	1.4 lbs.	P	55,000 SEED PER POUND. GOOD ON DROUGHTY SITES. NOT RECOMMENDED FOR MIXTURES.
SUDANGRASS IN MIXTURES	10 lbs.	0.2 lbs.		

(1) BROADCAST RATES ARE IN PURE LIVE SEED (PLS)
 (2) M-1 REPRESENTS THE MOUNTAIN, BLUE RIDGE, AND RIDGES AND VALLEYS MLRA'S
 P REPRESENTS THE SOUTHERN PIEDMONT MLRA
 C REPRESENTS SOUTHERN COASTAL PLAIN, SAND HILLS, BLACK LANDS, AND ATLANTIC COAST FLATWOODS MLRA'S
 (3) DARK LINES INDICATE OPTIMUM DATES, GRAY LINES INDICATE PERMISSIBLE BUT MARGINAL DATES.

FERTILIZER AND LIME REQUIREMENTS FOR TEMPORARY VEGETATION (Ds2)

TYPES OF SPECIES	PLANTING YEAR	FERTILIZER (N-P-K)	RATE (LBS./ACRE)	N TOP DRESSING RATE (LBS./ACRE)	LIME APPLICATION (TONS/ACRE)
Cool Season Grasses	First	6-12-12	1500	50-100	1
	Second Maintenance	6-12-12 10-10-10	1000 400	30	
Cool Season Grasses and Legumes	First	6-12-12	1500	0-50	1
	Second Maintenance	0-10-10 0-10-10	1000 400	-	
Temporary Cover Crops Seeded Alone	First	10-10-10	500	30	1
Warm Season Grasses	First	6-12-12	1500	50-100	1
	Second Maintenance	6-12-12 10-10-10	800 400	50-100 30	

Ds2 DISTURBED AREA STABILIZATION (WITH TEMP SEEDING)

(COORDINATE WITH FINAL LANDSCAPING PLAN)

Ds3 SPECIES AND PLANTING SCHEDULE				
SPECIES	BROADCAST RATES 1/ - PLS 2/		PLANTING DATES BY RESOURCE AREAS 3/	SPECIFICATIONS
	PER ACRE	PER 1000 Sq.Ft.		
BERMUDA, COMMON (CYNODON DACTYLON) HULLED SEED ALONE	10 LBS.	0.2 LB.	P	1,787,000 SEED PER POUND. QUICK COVER, LOW GROWING AND SO FORMING. FUL SUN. GOOD FOR ATHLETIC FIELDS.
BERMUDA, COMMON (CYNODON DACTYLON) HULLED SEED WITH OTHER PERENNIALS	6 LBS.	0.1 LB.		
BERMUDA, COMMON (CYNODON DACTYLON) UNHULLED SEED WITH TEMPORARY COVER WITH OTHER PERENNIALS	10 LBS. 6 LBS.	0.2 LB. 0.1 LB.	P	PLANT WITH WINTER ANNUALS. PLANT WITH TALL FESCUE.
BERMUDA SPRIGS (CYNODON DACTYLON) COASTAL, COMMON, MIDLAND, OR TIF 44 COASTAL, COMMON, OR TIF 44	40 CU. FT. OR 500 PLUGS 3' x 3'	0.9 CU.FT. OR 1.2	P	A CUBIC FT. CONTAINS APPROXIMATELY 650 SPRIGS. A BUSHEL CONTAINS 1.25 CF. OR APPROXIMATELY 800 SPRIGS.
CENTIPEDIA (ERMOCLOA OPHUROIDES)	BLOCK SOD ONLY		P	DROUGHT TOLERANT. FULL SUN OR PARTIAL SHADE. EFFECTIVE ADJACENT TO CONCRETE AND IN CONCENTRATED FLOW AREAS. IRRIGATION IS NEEDED UNTIL FULLY EST. DO NOT PLANT NEAR PARTURES. WINTERHARDY AS FAR NORTH AS ATHENS AND ATLANTA.
FESCUE, TALL (CYNODON DACTYLON) ALONE	50 LBS.	1.1 LB.	P	227,000 SEED PER POUND. USE ALONE ONLY ON BETTER SITES. NOT FOR DROUGHTY SOILS. MIX WITH PERENNIAL LESPEDEZAS OR CROWN-VETCH. APPLY TOPDRESSING IN SPRING FOLLOWING FALL PLANTING. NOT FOR HEAVY USE AREAS OR ATHLETIC FIELDS.
FESCUE, TALL (CYNODON DACTYLON) WITH OTHER PERENNIALS	30 LBS.	0.7 LB.		

(1) BROADCAST RATES ARE IN PURE LIVE SEED (PLS)
 (2) M-1 REPRESENTS THE MOUNTAIN, BLUE RIDGE, AND RIDGES AND VALLEYS MLRA'S
 P REPRESENTS THE SOUTHERN PIEDMONT MLRA
 C REPRESENTS SOUTHERN COASTAL PLAIN, SAND HILLS, BLACK LANDS, AND ATLANTIC COAST FLATWOODS MLRA'S
 (3) DARK LINES INDICATE OPTIMUM DATES, GRAY LINES INDICATE PERMISSIBLE BUT MARGINAL DATES.

FERTILIZER AND LIME REQUIREMENTS FOR PERMANENT VEGETATION (Ds3)

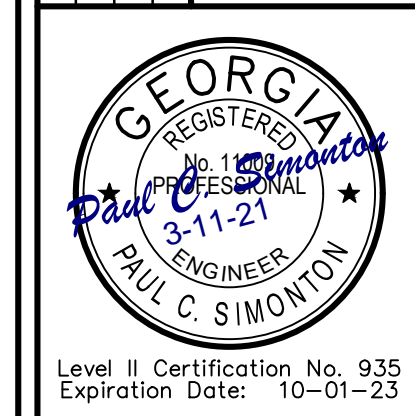
TYPES OF SPECIES	PLANTING YEAR	FERTILIZER (N-P-K)	RATE (LBS./ACRE)	N TOP DRESSING RATE (LBS./ACRE)	LIME APPLICATION (TONS/ACRE)
Cool Season Grasses	First	6-12-12	1500	50-100	1
	Second Maintenance	6-12-12 10-10-10	1000 400	30	
Cool Season Grasses and Legumes	First	6-12-12	1500	0-50	1
	Second Maintenance	0-10-10 0-10-10	1000 400	-	
Warm Season Grasses	First	6-12-12	1500	50-100	1
	Second Maintenance	6-12-12 10-10-10	800 400	50-100 30	
Warm Season Grasses and Legumes	First	6-12-12	1500	0-50	1
	Second Maintenance	0-10-10 0-10-10	1000 400	-	

Ds3 PERMANENT GRASSING MULCHING RATES MATERIAL DEPTH

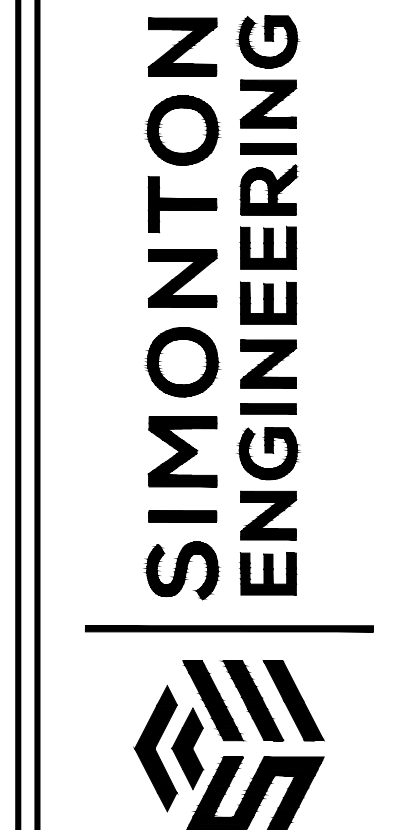
- GRAIN STRAW OR GRASS HAY 4" TO 6"
- PINE NEEDLE 3" TO 5"
- WOOD WASTE (SAWDUST, BARK, CHIPS) 4" TO 6"

Ds3 DISTURBED AREA STABILIZATION (WITH PERM SEEDING)

Not for Bid



Level II Certification No. 935
 Expiration Date: 10-01-23
 1050 PARKSIDE COMMONS
 GREENSBORO, GA 30642
 TEL: (706) 454-0870
 www.simontongen.com



SR 38 at CR 73 Utility Relocation
 PI # 0011730
 for
 The City of Hinesville
 Liberty County, Georgia

Details
 DATE: February 8, 2021
 FILE NO: 2015-41PRU
 SHEET: 7